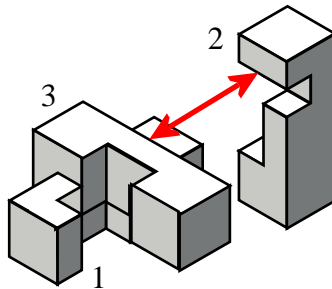
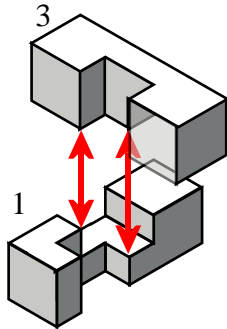
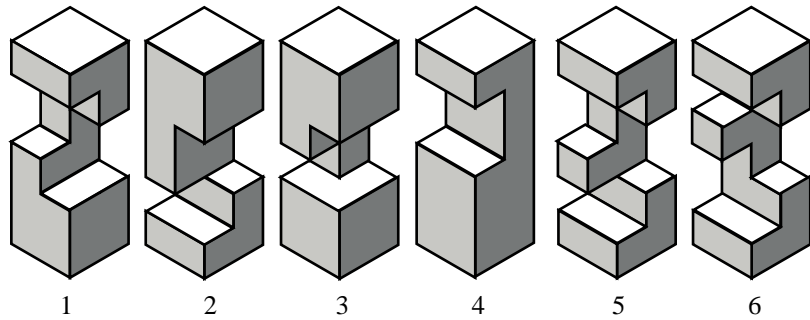


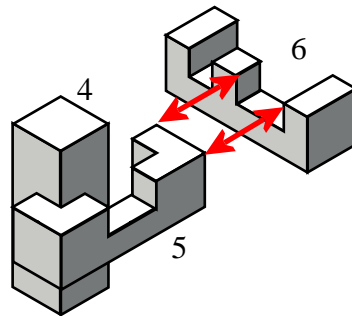
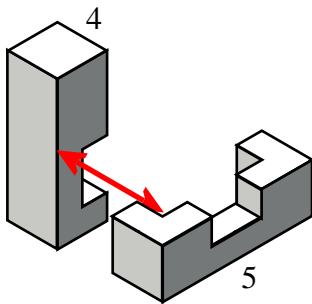
## Six Piece Burr solution

# Homemade Puzzles

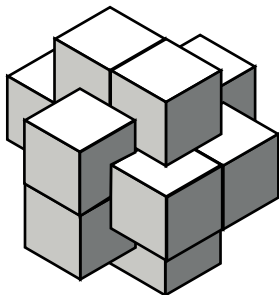
1. Identify the six pieces.



2. Slide piece 1 into 3. Those two slide into piece 2. This is group A.



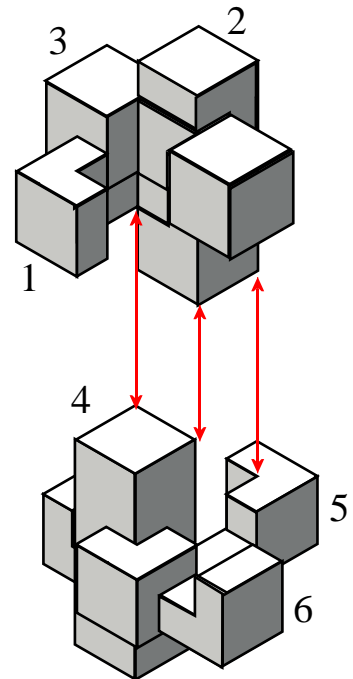
2. Slide pieces 5 and 4 together. Slide piece 6 into those two. This is group B.



### Completed Burr.

Designed by Stewart Coffin. The design of the pieces were given away on the internet, but not the whole solution, just a hint of how to assemble it. After I made the parts, it took me two weeks to actually assemble it.

4. Slide group A (pieces 1,2,3) downwards into group B (pieces 4,5,6).



These solutions are provided free, because they are also available elsewhere on the Internet. If the puzzle is one of mine, the solution may help you decide to make that particular puzzle.

© Bruce Viney 2007

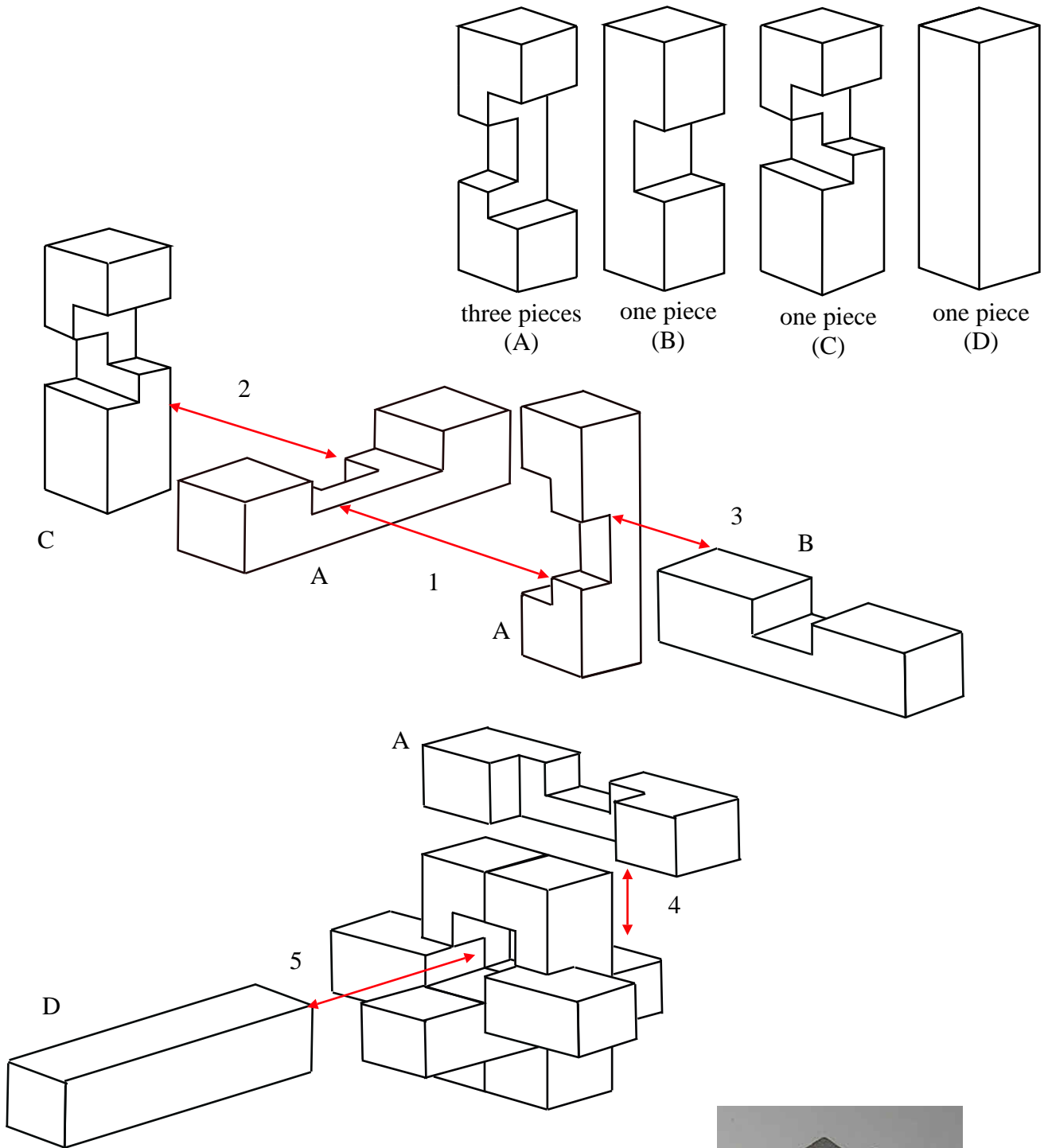
Get more plans and solutions at **Homemade Puzzles.**

Web address: [www.homemadepuzzles.co.uk](http://www.homemadepuzzles.co.uk)

E-mail: [bruce@homemadepuzzles.co.uk](mailto:bruce@homemadepuzzles.co.uk)

# Homemade Puzzles

## Simple Burr solution



Get more plans and solutions at **Homemade Puzzles.**

Web address: [www.homemadepuzzles.co.uk](http://www.homemadepuzzles.co.uk)

E-mail: [bruce@homemadepuzzles.co.uk](mailto:bruce@homemadepuzzles.co.uk)